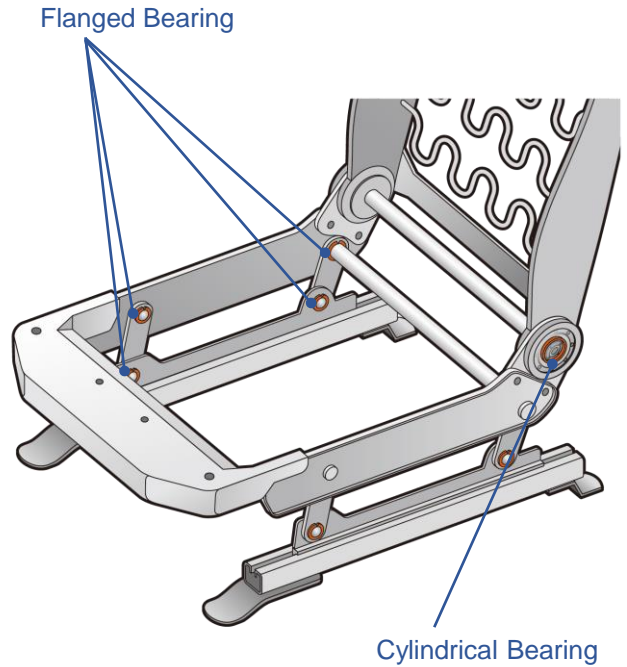


Seat

RECOMMENDED MATERIAL

DAIDYNE DDL05

PTFE BASED BEARING



FEATURES

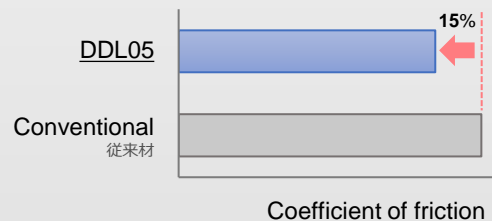
特長

- 1 Light weight, thin wall construction for compact equipment design.
軽量・薄肉によりコンパクト設計に貢献します
- 2 Offers a low coefficient of friction and excellent wear resistance under dry conditions.
無潤滑下で低摩擦係数と耐摩耗特性を持ちます
- 3 Eliminates “stick and slip” thanks to a low coefficient of friction.
低摩擦係数でスティック・スリップが起きません
- 4 Performs well under high loads.
高負荷能力を発揮します
- 5 Performs well through an extended range of operating temperatures.
使用可能温度範囲が広範囲です
- 6 Offers superior resistance to chemical substances.
耐薬品性に優れています

BEARING PERFORMANCE

性能

Coefficient of friction 摩擦係数



Coefficient of friction