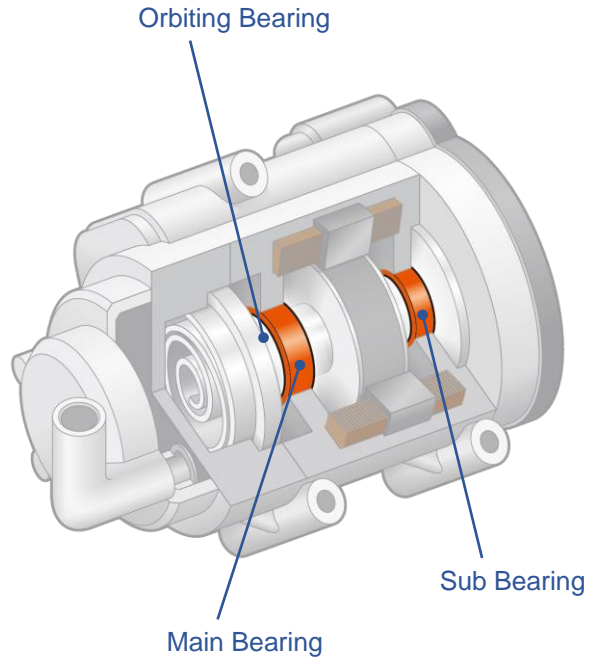


# Automotive Compressor

RECOMMENDED MATERIAL

## PTFE BASED BEARINGS



### REQUIRED CHARACTERISTICS

要求特性

- Low coefficient of friction  
低摩擦係数
- Wear resistance  
耐摩耗性
- Lead free material  
Pbフリー材

### FEATURES

特長

- 1 Offers a low coefficient of friction and excellent wear resistance.  
無潤滑下で低摩擦係数と耐摩耗特性を持ちます
- 2 Eliminates “stick and slip” thanks to a low coefficient of friction.  
低摩擦係数でスティック・スリップが起きません
- 3 Performs well under high loads.  
高負荷能力を発揮します
- 4 Performs well through an extended range of operating temperatures.  
使用可能温度範囲が広範囲です
- 5 Offers superior resistance to chemical substances.  
耐薬品性に優れています