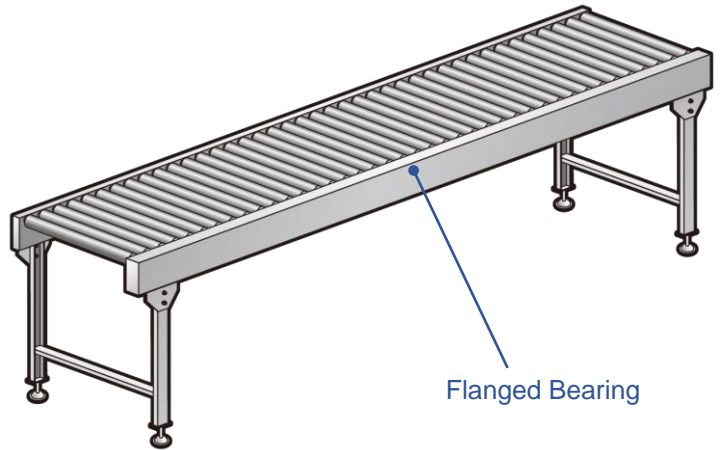


Conveyor



RECOMMENDED MATERIAL

DAIDYNE DDK05

PTFE BASED BEARING



FEATURES

特長

- 1** Offers a low coefficient of friction and excellent wear resistance under dry conditions.
無潤滑下で低摩擦係数と耐摩耗特性を持ちます
- 2** Eliminates “stick and slip” thanks to a low coefficient of friction.
低摩擦係数でスティック・スリップが起きません
- 3** Performs well under high loads.
高負荷能力を発揮します
- 4** Performs well through an extended range of operating temperatures.
使用可能温度範囲が広範囲です
- 5** Offers superior resistance to chemical substances.
耐薬品性に優れています

BEARING PERFORMANCE

性能

Coefficient of friction 摩擦係数

