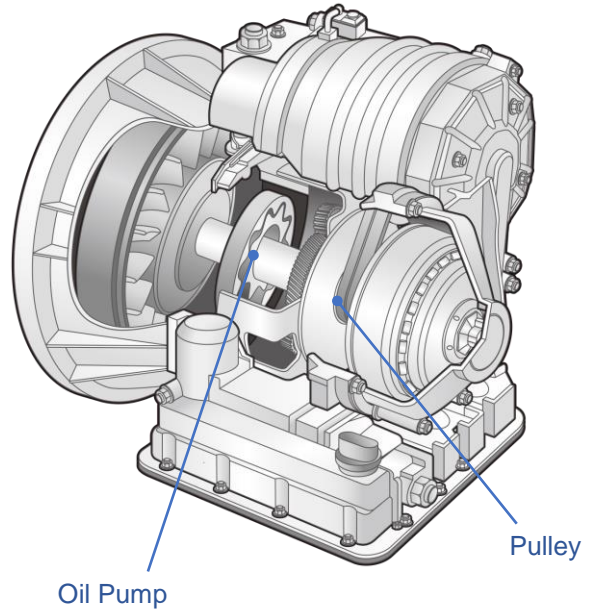


# CVT

(Continuously Variable Transmission)



RECOMMENDED MATERIAL

## A66T

ALUMINUM BASED BEARING



### FEATURES

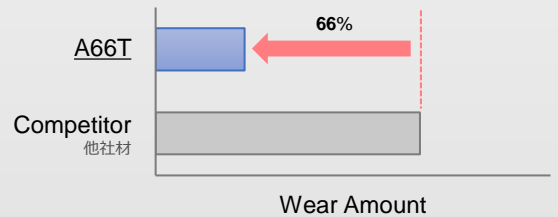
特長

- 1 Excellent wear resistance and seizure resistance.  
優れた耐摩耗性と耐焼付性を持ちます
- 2 Lead-free bearing.  
Pbフリー軸受材料

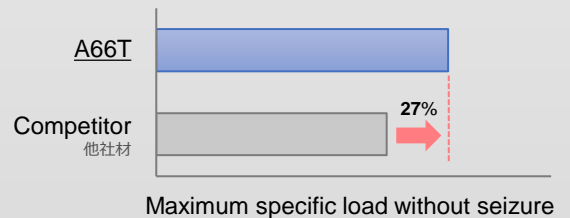
### BEARING PERFORMANCE

性能

#### Wear resistance 摩耗試験



#### Seizure resistance 耐焼付性



The test data is the representative value that was based on our test results, and these are not guaranteed values.  
弊社試験結果に基づく代表値であり、値を保証するものではありません