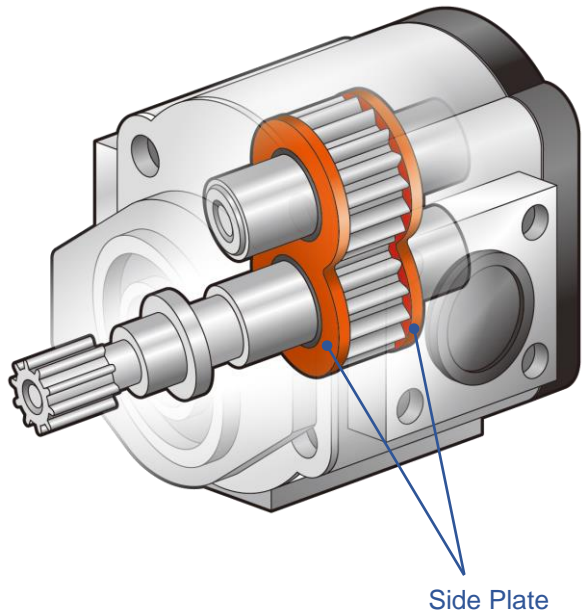


# External Gear Pump



RECOMMENDED MATERIAL

**B05BS**

COPPER BASED BEARING



## FEATURES

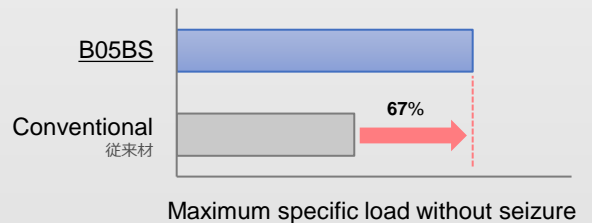
特長

- 1 Excellent wear resistance and seizure resistance.  
優れた耐摩耗性と耐焼付性を持ちます
- 2 Lead-free bearing.  
Pbフリー軸受材料

## BEARING PERFORMANCE

性能

### Seizure resistance 耐焼付性



Maximum specific load without seizure