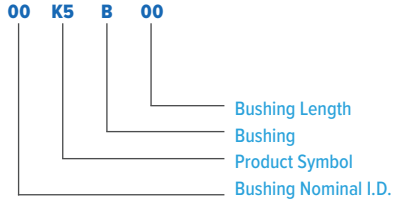


K5B DDK05 Bushing

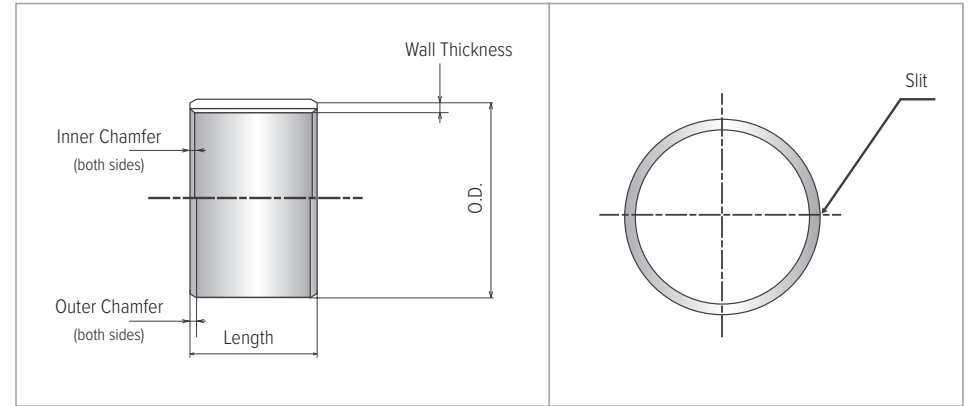
Bushing Inner Diameter: 1/8 in. to 2 in.

Designation of Part Number



02 K5B 02

Please specify by part number.



(Unit: inch)

NOMINAL I.D.	RECOMMENDED DIMENSION		NOMINAL O.D.	WALL THICKNESS	Part Number and Bushing Length Tolerance +/- 0.010 (+/- 0.25 mm)																					
	HOUSING I.D.	SHAFT O.D.			02	025	03	04	05	06	08	10	11	12	14	15	16	18	20	22	24	26	28	32	40	
1/8	02	0.1878/0.1873	0.1243/0.1236	3/16	0.0311/0.0301	02 02		02 03																		
5/32	025	0.2191/0.2186	0.1554/0.1547	7/32			025 025		025 04																	
3/16	03	0.2503/0.2497	0.1865/0.1858	1/4				03 03	03 04		03 06															
1/4	04	0.3128/0.3122	0.2490/0.2481	5/16					04 04		04 06	04 08														
5/16	05	0.3753/0.3747	0.3115/0.3106	3/8				05 03	05 04		05 06	05 08					05 16									
3/8	06	0.4691/0.4684	0.3740/0.3731	15/32	0.0467/0.0457			06 03	06 04	06 05	06 06	06 08	06 10		06 12											
7/16	07	0.5316/0.5309	0.4365/0.4355	17/32					07 04			07 08			07 12											
1/2	08	0.5941/0.5934	0.4990/0.4980	19/32					08 04		08 06	08 08	08 10		08 12	08 14										
9/16	09	0.6566/0.6559	0.5615/0.5605	21/32							09 06	09 08	09 10		09 12											
5/8	10	0.7192/0.7184	0.6240/0.6230	23/32					10 04		10 06	10 08	10 10		10 12	10 14	10 16									
11/16	11	0.7817/0.7809	0.6865/0.6855	25/32										11 14												
3/4	12	0.8755/0.8747	0.7491/0.7479	7/8	0.0623/0.0611				12 04		12 06	12 08	12 10		12 12		12 16									
13/16	13	0.9380/0.9372	0.8116/0.8104	15/16										13 10	13 12			13 18								
7/8	14	1.0005/0.9997	0.8741/0.8729	1					14 04		14 06	14 08		14 12			14 16		14 20							
1	16	1.1255/1.1247	0.9991/0.9979	1 1/8							16 06	16 08		16 12	16 14	16 16	16 20	16 22	16 24							
1 1/8	18	1.2818/1.2808	1.1238/1.1226	1 9/32								18 06	18 08	18 10	18 11	18 12		18 16								
1 1/4	20	1.4068/1.4058	1.2488/1.2472	1 13/32	0.0780/0.0768						20 06			20 12	20 14	20 16		20 20		20 24		20 28				
1 3/8	22	1.5318/1.5308	1.3738/1.3722	1 17/32										22 12		22 16				22 24	22 26	22 28				
1 1/2	24	1.6568/1.6558	1.4988/1.4972	1 21/32									24 08		24 12		24 16	24 18	24 20	24 24	24 26		24 32			
1 5/8	26	1.7818/1.7808	1.6238/1.6222	1 25/32												26 16		26 20		26 24						
1 3/4	28	1.9381/1.9371	1.7487/1.7471	1 15/16								28 08				28 16		28 20		28 24		28 32				
1 7/8	30	2.0633/2.0621	1.8737/1.8721	2 1/16	0.0937/0.0925									30 12		30 16			30 24			30 32				
2	32	2.1883/2.1871	1.9987/1.9969	2 3/16								32 08			32 12		32 15	32 16		32 24		32 28	32 32	32 40		