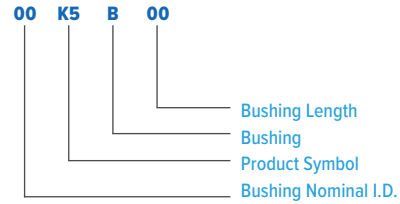


K5B DDK05 Bushing

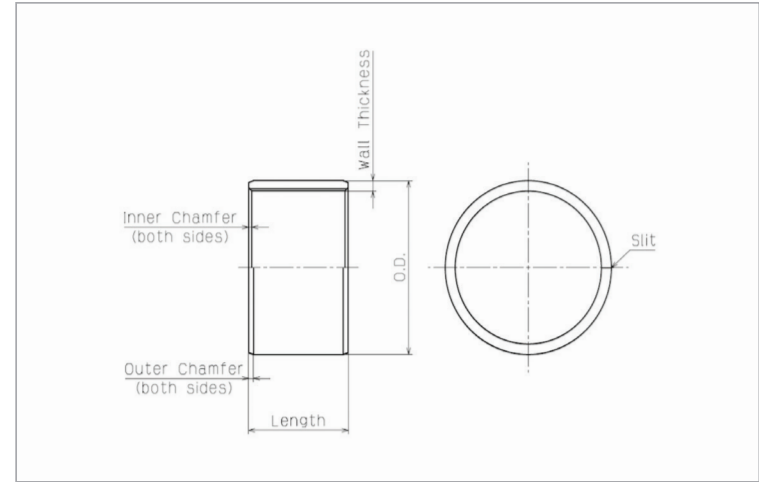
Bushing Inner Diameter: 1/8 in. to 2 in.

Designation of Part Number



02 K5B 02

Please specify by part number.



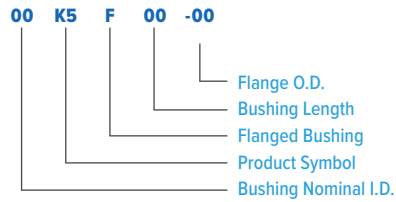
(Unit: inch)

NOMINAL I.D.	RECOMMENDED DIMENSION		NOMINAL O.D.	WALL THICKNESS	Part Number and Bushing Length Tolerance +/- 0.010 (+/- 0.25 mm)																				
	HOUSING I.D.	SHAFT O.D.			02	025	03	04	05	06	08	10	11	12	14	15	16	18	20	22	24	26	28	32	40
1/8	02	0.1878/0.1873	0.1243/0.1236	3/16	0.0311/0.0301	02 02		02 03																	
5/32	025	0.2191/0.2186	0.1554/0.1547	7/32			025 025		025 04																
3/16	03	0.2503/0.2497	0.1865/0.1858	1/4				03 03	03 04		03 06														
1/4	04	0.3128/0.3122	0.2490/0.2481	5/16					04 04		04 06	04 08													
5/16	05	0.3753/0.3747	0.3115/0.3106	3/8				05 03	05 04		05 06	05 08				05 16									
3/8	06	0.4691/0.4684	0.3740/0.3731	15/32	0.0467/0.0457			06 03	06 04	06 05	06 06	06 08	06 10		06 12										
7/16	07	0.5316/0.5309	0.4365/0.4355	17/32					07 04			07 08			07 12										
1/2	08	0.5941/0.5934	0.4990/0.4980	19/32					08 04		08 06	08 08	08 10		08 12	08 14									
9/16	09	0.6566/0.6559	0.5615/0.5605	21/32							09 06	09 08	09 10		09 12										
5/8	10	0.7192/0.7184	0.6240/0.6230	23/32					10 04		10 06	10 08	10 10		10 12	10 14	10 16								
11/16	11	0.7817/0.7809	0.6865/0.6855	25/32										11 14											
3/4	12	0.8755/0.8747	0.7491/0.7479	7/8	0.0623/0.0611				12 04		12 06	12 08	12 10		12 12		12 16								
13/16	13	0.9380/0.9372	0.8116/0.8104	15/16										13 10	13 12			13 18							
7/8	14	1.0005/0.9997	0.8741/0.8729	1					14 04		14 06	14 08		14 12			14 16		14 20						
1	16	1.1255/1.1247	0.9991/0.9979	1 1/8							16 06	16 08		16 12	16 14	16 16	16 16	16 20	16 22	16 24					
1 1/8	18	1.2818/1.2808	1.1238/1.1226	1 9/32								18 06	18 08	18 10	18 11	18 12		18 16							
1 1/4	20	1.4068/1.4058	1.2488/1.2472	1 13/32	0.0780/0.0768						20 06			20 12	20 14	20 16		20 20		20 24		20 28			
1 3/8	22	1.5318/1.5308	1.3738/1.3722	1 17/32										22 12		22 16				22 24	22 26	22 28			
1 1/2	24	1.6568/1.6558	1.4988/1.4972	1 21/32							24 08			24 12		24 16	24 18	24 20	24 24	24 26		24 32			
1 5/8	26	1.7818/1.7808	1.6238/1.6222	1 25/32												26 16		26 20		26 24					
1 3/4	28	1.9381/1.9371	1.7487/1.7471	1 15/16								28 08				28 16		28 20		28 24		28 32			
1 7/8	30	2.0633/2.0621	1.8737/1.8721	2 1/16	0.0937/0.0925									30 12		30 16			30 24			30 32			
2	32	2.1883/2.1871	1.9987/1.9969	2 3/16								32 08			32 12		32 15	32 16			32 24		32 28	32 32	32 40

K5F DDK05 Flanged Bushing

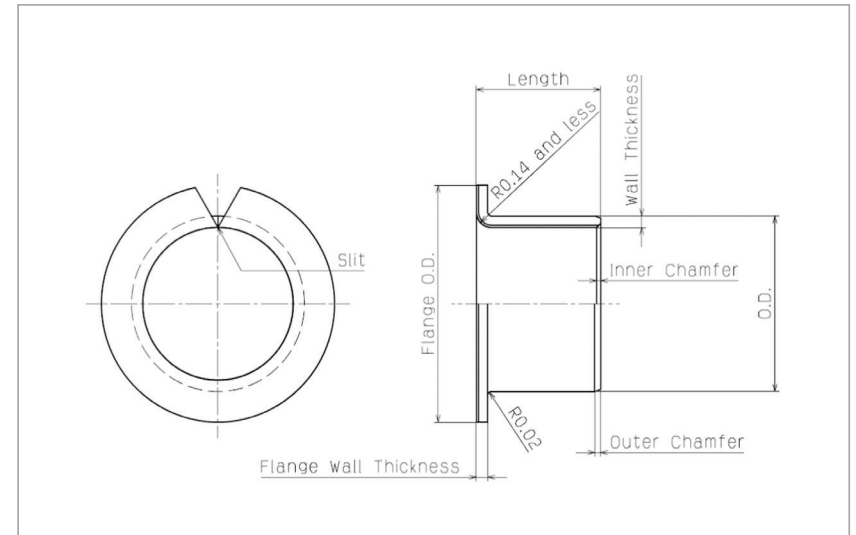
Bushing Inner Diameter: 3/8 in. to 1 1/4 in.

Designation of Part Number



06 K5F 04 -11

Please specify by part number.



(Unit: inch)

NOMINAL I.D.		RECOMMENDED DIMENSION		NOMINAL O.D.	NOMINAL FLANGE O.D.	FLANGE WALL THICKNESS	WALL THICKNESS	Part Number and Nominal Length				
		HOUSING I.D.	SHAFT O.D.					04	06	08	12	
3/8	06	0.4691 / 0.4684	0.3740 / 0.3731	15/32	11/16	11	0.0472 / 0.0413	0.0467 / 0.0457	06 04-11	06 06-11	06 08-11	
1/2	08	0.5941 / 0.5934	0.4990 / 0.4980	19/32	13/16	13			08 04-13	08 06-13		08 12-13
5/8	10	0.7192 / 0.7184	0.6240 / 0.6230	23/32	15/16	15	0.0630 / 0.0571	0.0623 / 0.0611		10 06-15		
3/4	12	0.8755 / 0.8747	0.7491 / 0.7479	7/8	1 1/8	18				12 06-18	12 08-18	