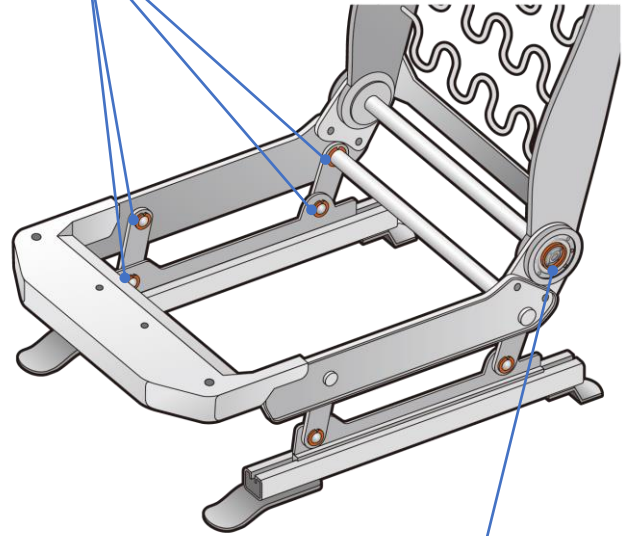


Seat

DAIDYNE DDL05



Flanged Bearing



Cylindrical Bearing

Low coefficient of friction and excellent wear resistance under dry conditions.

無潤滑下で低摩擦係数と優れた耐摩耗特性

Required characteristic

要求特性

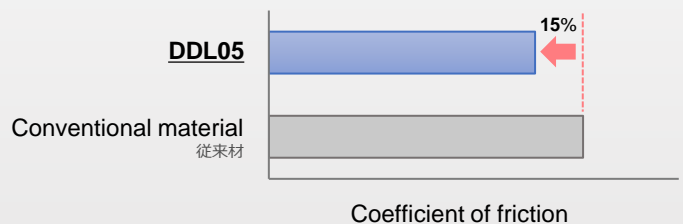
- Low coefficient of friction
低摩擦係数
- Non Stick-Slip
スティックスリップがない
- Durability
耐久性
- Lead free material
鉛フリー材

Performance

性能



Coefficient of friction 摩擦係数



Coefficient of friction