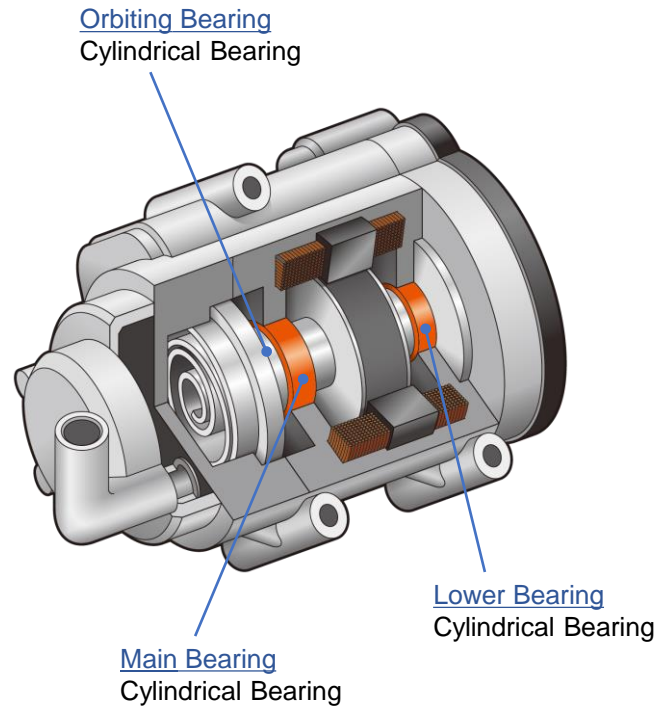


# Automotive Scroll Compressor

## PTFE based material

\*PTFE: Polytetrafluoroethylene



Comprises a porous copper-tin alloy sintered on a steel backing and a lining made of PTFE mixed with a special filler.

鋼裏金に銅-錫合金を多孔質に焼結し、PTFEと特殊充填剤の混合剤をライニング

### Required characteristic

要求特性

- Low coefficient of friction  
低摩擦係数
- Wear resistance  
耐摩耗性
- Lead free material  
鉛フリー材

### Material characteristic

材料の特徴



#### PTFE characteristic PTFEの特徴

- 1 Low coefficient of friction  
低摩擦係数
- 2 Broad temperature range  
使用可能温度範囲が広い
- 3 Excellent chemical resistance  
優れた耐薬品性