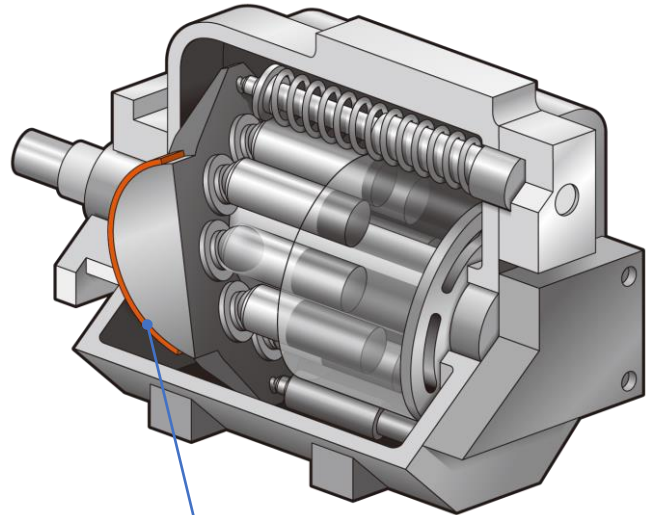


Axial Piston Pump



Cradle Bearing

Polymer based material

Comprises a porous copper-tin alloy sintered on a steel backing and a lining primarily made of polymer.

鋼裏金に銅-錫合金を多孔質に焼結し、樹脂をライニング

Required characteristic

要求特性

- Low coefficient of friction
低摩擦係数
- Seizure resistance
耐焼付性
- Wear resistance
耐摩耗性

Lineup

ラインナップ

Material characteristic 材料の特徴

- Low coefficient of friction
低摩擦係数 → PTFE
(Polytetrafluoroethylene)
- Durability thanks to its ability to retain lubricant
潤滑剤の保持能力による高い耐久性 → POM
(Polyoxymethylene)
- Wear resistance
耐摩耗性 → PEEK
(Polyetheretherketone)