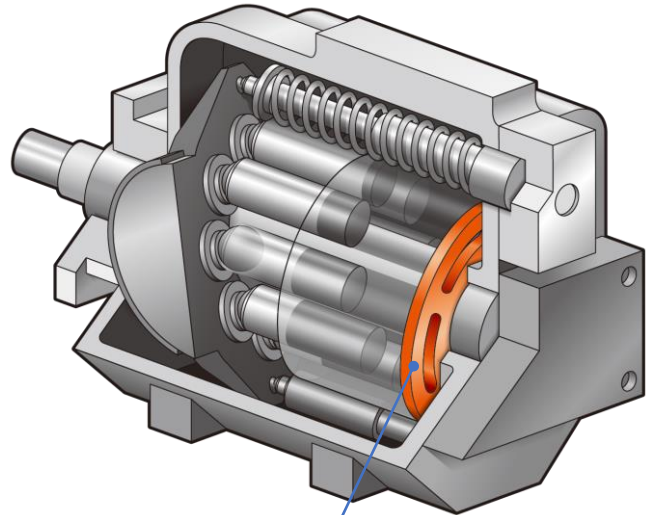


Axial Piston Pump



Valve Plate

Copper based material

Comprises a lining made of copper alloy on a steel backing.

鋼裏金と銅合金の2層構造

Required characteristic

要求特性

- Wear resistance
耐摩耗性
- Seizure resistance
耐焼付性
- Durability
耐久性

Lineup

ラインナップ



General material 一般材

L10

- Superior impact load characteristics.
優れた耐衝撃荷重特性



Lead free material 鉛フリー材

B05BS

- Excellent resistance to both wear and seizing.
優れた耐摩耗性・耐焼付性