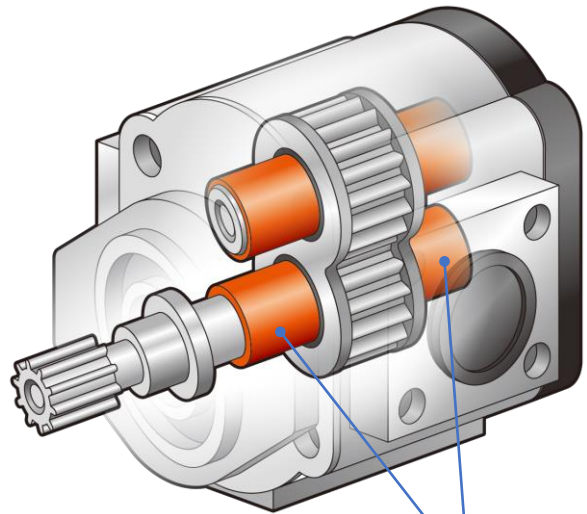


External Gear Pump



Cylindrical Bearing

DDR17X



Excellent load-carrying capacity.

優れた耐荷重特性

Required characteristic

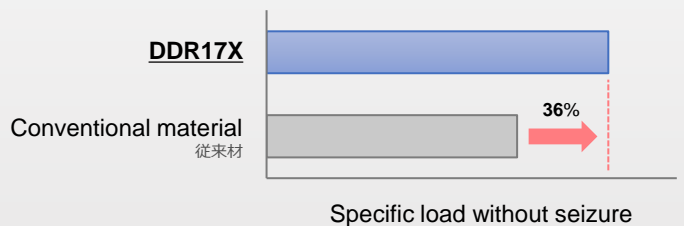
要求特性

- Seizure resistance
耐焼付性
- Wear resistance
耐摩耗性
- Durability
耐久性

Performance

性能

Seizure resistance 耐焼付性



Specific load without seizure