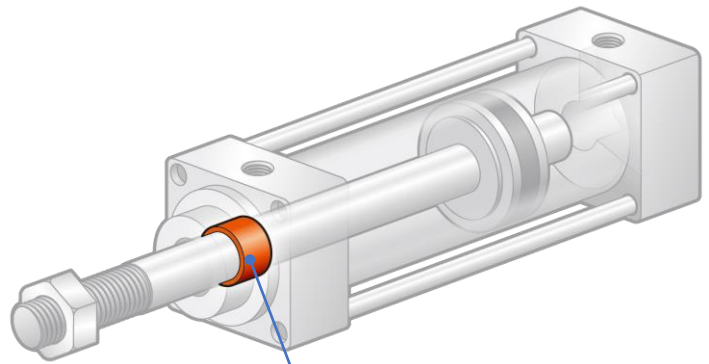


Air Cylinder



Cylindrical Bearing

RECOMMENDED MATERIAL

B05BS

COPPER BASED BEARING



FEATURES

特長

- 1 Excellent resistance to both wear and seizing.
優れた耐摩耗性と耐焼付性を持ちます
- 2 Lead-free bearing.
Pbフリー軸受材料

BEARING PERFORMANCE

性能

Wear resistance 耐摩耗性

