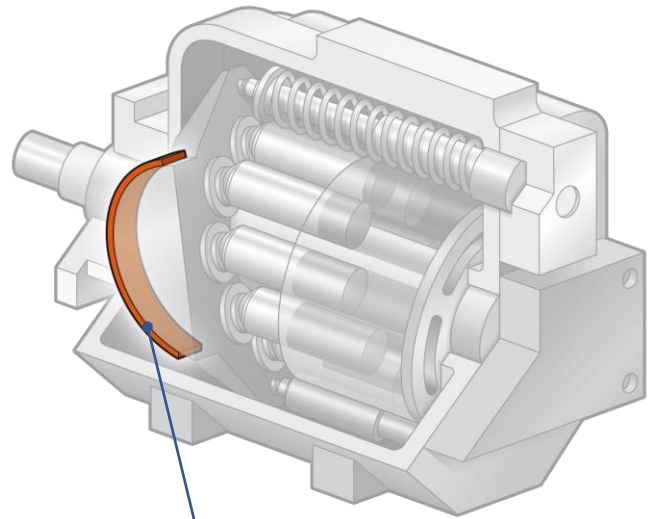


# Axial Piston Pump



Cradle Bearing

RECOMMENDED MATERIAL

## POLYMER BASED BEARINGS



### REQUIRED CHARACTERISTICS

要求特性

- Wear resistance  
耐摩耗性
- Low coefficient of friction  
低摩擦係数
- Seizure resistance  
耐焼付性
- Cavitation resistance  
耐キャビテーション性
- High load capability  
高負荷能力

### FEATURES

特長

#### PTFE BASED BEARINGS

- A low coefficient of friction  
低摩擦係数

#### POM BASED BEARINGS

- Durability thanks to its ability to retain lubricant  
潤滑剤の保持能力による高い耐久性

#### PEEK BASED BEARINGS

- Excellent wear resistance  
優れた耐摩耗性