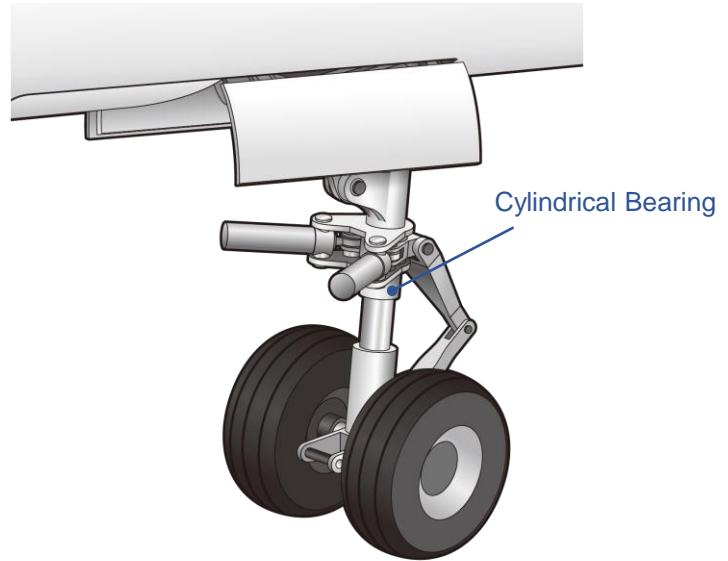


# Landing Gear



RECOMMENDED MATERIAL

## DAIDYNE DDK35

PTFE BASED BEARING



### FEATURES

特長

- 1** Offers superior resistance to both water and chemical substances.  
耐水性や耐薬品性に優れています
- 2** Features nonmagnetic materials.  
非磁性の特性を備えています
- 3** Offers a low coefficient of friction and excellent wear resistance under dry conditions.  
無潤滑下で低摩擦係数と耐摩耗特性を持ちます
- 4** Eliminates “stick and slip” thanks to a low coefficient of friction.  
低摩擦係数でスティック・スリップが起きません
- 5** Performs well under high loads.  
高負荷能力を発揮します
- 6** Performs well through an extended range of operating temperatures.  
使用可能温度範囲が広範囲です

### BEARING PERFORMANCE

性能

#### Coefficient of friction 摩擦係数

