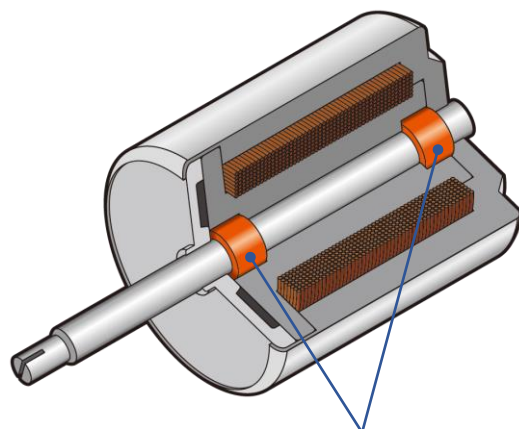


Solenoid

RECOMMENDED MATERIAL

DAIDYNE DDL02

PTFE BASED BEARING



Cylindrical Bearing

ID: Φ3~

Option: Air vent groove on bearing back steel side

軸受背面へのエア抜き溝



No need to process the groove on housing.

ハウジング側への溝加工が不要になります

FEATURES

特長

- 1 Light weight, thin wall construction for compact equipment design.
軽量・薄肉によりコンパクト設計に貢献します
- 2 Offers a low coefficient of friction and excellent wear resistance along boundary surfaces and under fluid lubrication.
境界および流体潤滑下で低摩擦係数と耐摩耗特性を持ちます
- 3 Eliminates “stick and slip” thanks to a low coefficient of friction.
低摩擦係数でスティック・スリップが起きません
- 4 Offers superior resistance to chemical substances.
耐薬品性に優れています
- 5 Offers cavitation resistant performance.
耐キャビテーション特性を備えています
- 6 Performs well through an extended range of operating temperatures.
使用可能温度範囲が広範囲です

BEARING PERFORMANCE

性能

Coefficient of friction 摩擦係数

