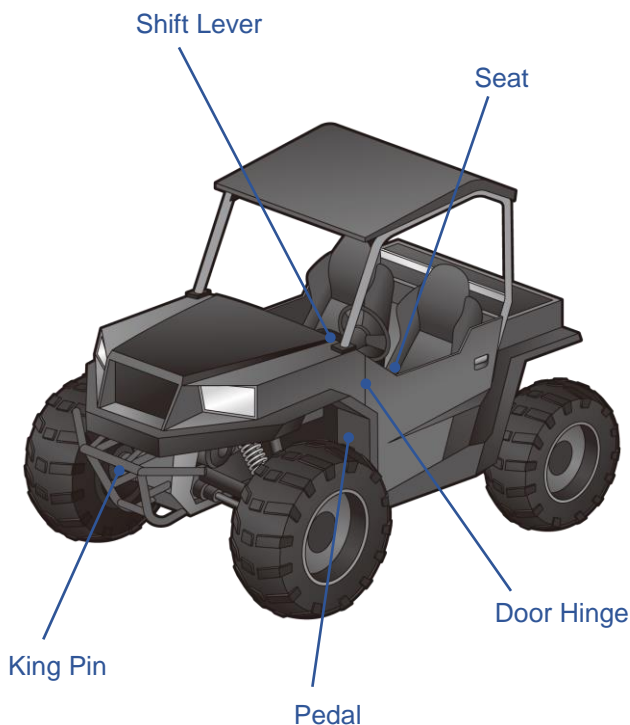


UTV

(Utility Task Vehicle)



RECOMMENDED MATERIAL

DAIBEST DBS02

POM BASED BEARING



FEATURES

特長

- 1** Offers a low coefficient of friction and excellent wear resistance under dry conditions.
無潤滑下で低摩擦係数と耐摩耗特性を持ちます
- 2** Suitable for applications requiring high-speed, operation under dry conditions.
高速・無潤滑での使用ができます
- 3** Eliminates “stick and slip” thanks to a low coefficient of friction.
低摩擦係数でスティック・スリップが起きません
- 4** Suitable for injection molding of complex shapes.
射出成形による複雑な形状が可能です
- 5** Provides superior resiliency against misalignment.
ミス・アライメントの許容能力に優れています
- 6** Performs well through an extended range of operating temperatures.
使用可能温度範囲が広範囲です

BEARING PERFORMANCE

性能

Wear resistance 耐摩耗性

