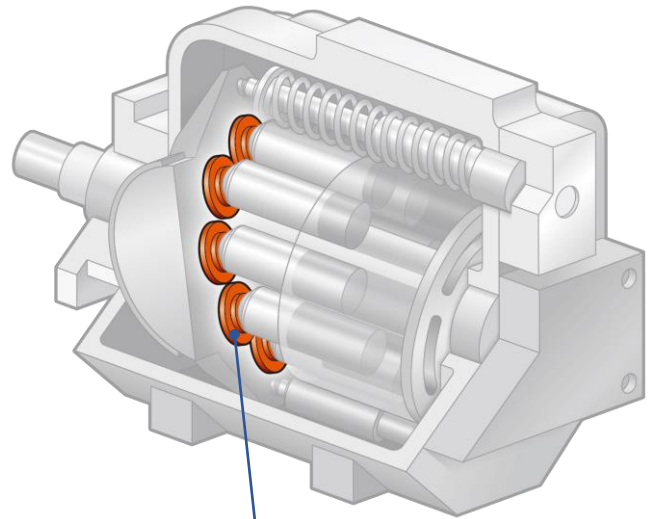


Axial Piston Pump



Piston Shoe

RECOMMENDED MATERIAL

COPPER BASED BEARINGS

REQUIRED CHARACTERISTICS

要求特性

- Wear resistance
耐摩耗性
- Seizure resistance
耐焼付性

FEATURES

特長

L10

- 1** Superior seizure resistance.
優れた耐焼付性を持ちます
- 2** Excellent wear resistance when using hardened axles.
焼入れした軸に用いた場合、耐摩耗性が優秀です
- 3** Leaded bearing.
Pb含有軸受材料

B11

- 1** Sintered bronze withstands heavy loads.
青銅焼結で高荷重に耐えます
- 2** Lead-free bearing.
Pbフリー軸受材料